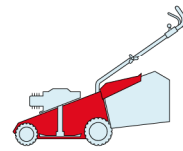


TU

454

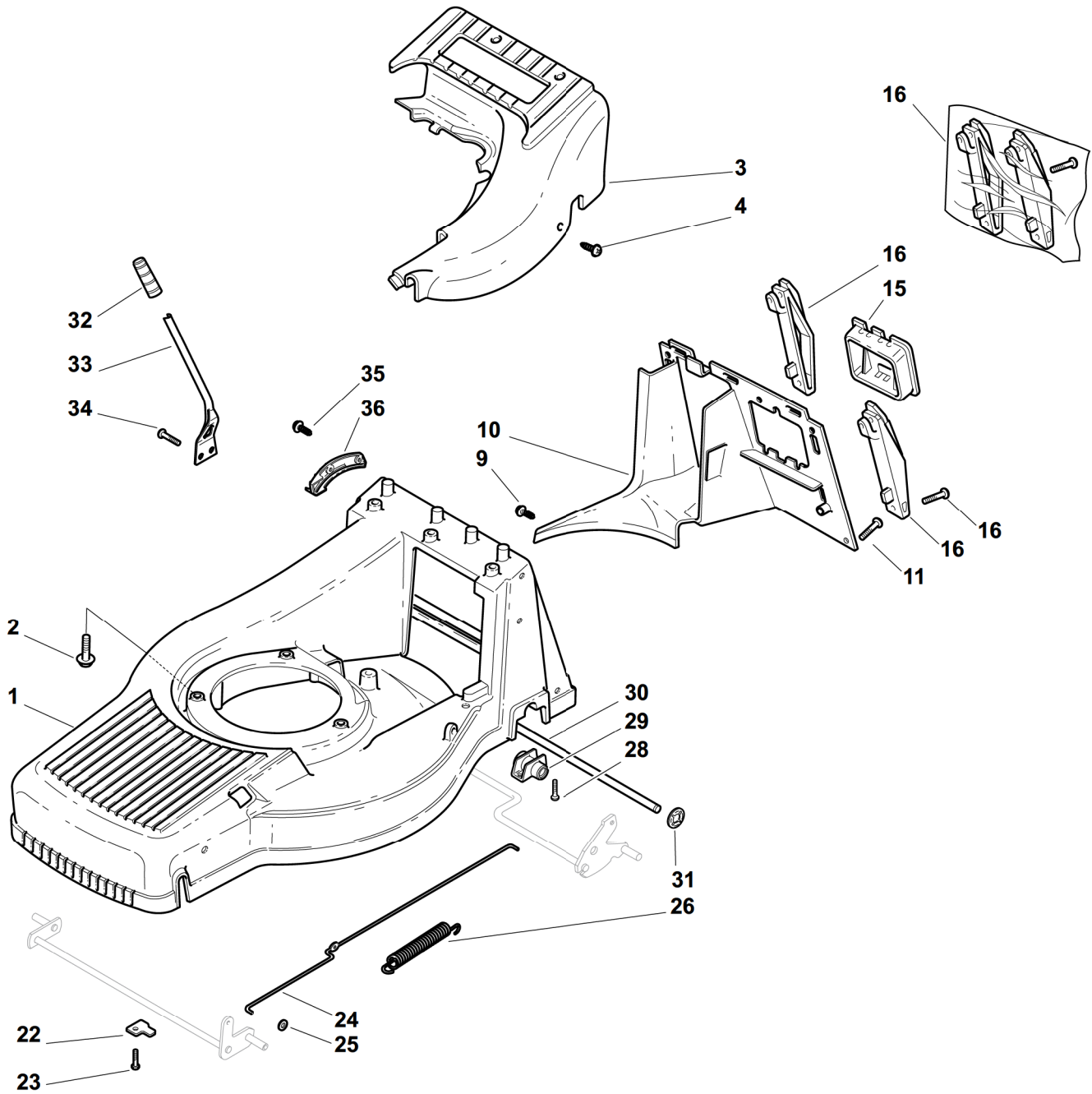
504



2009

55\_001

1 / 2



POS.	CODE	Q.TY	DESCRIZIONE	DESCRIPTION	DESCRIPTION	BESCHREIBUNG	REMARKS
1	381002656/1	1	Chassis Giallo	Deck Yellow	Châssis Jaune	Gehäuse Gelb	454
1	81002657/0	1	Chassis Giallo	Deck Yellow	Châssis Jaune	Gehäuse Gelb	504
2	112735108/1	3	Vite	Screw	Vis	Schraube	
3	22060151/0	1	Carter, Giallo	Protection, Yellow	Protection, Jaune	Schutz, Gelb	454
3	22060152/0	1	Carter, Giallo	Protection, Yellow	Protection, Jaune	Schutz, Gelb	504
4	12728300/0	3	Vite	Screw	Vis	Schraube	
9	12728300/0	1	Vite	Screw	Vis	Schraube	
10	22108279/0	1	Convogl. Posteriore	Rear Conveyor Assy	Ens. Convoyeur Post.	Hinterleitblechsatz	454
10	22108276/0	1	Convogl. Posteriore	Rear Conveyor Assy	Ens. Convoyeur Post.	Hinterleitblechsatz	454 Mulching
10	22108277/0	1	Convogl. Posteriore	Rear Conveyor Assy	Ens. Convoyeur Post.	Hinterleitblechsatz	504

POS.	CODE	Q.TY	DESCRIZIONE	DESCRIPTION	DESCRIPTION	BESCHREIBUNG	REMARKS
11	12735664/0	3	Vite	Screw	Vis	Schraube	
15	22109531/0	1	Coperchio	Cover	Couvercle	Deckel	
16	81008658/1	1	Dotazione Supporti	Outfit, Supports	Dotation Support	Satz, Halter	
22	22545160/0	2	Piastrina	Plate	Plaquette	Plättchen	
23	12735664/0	2	Vite	Screw	Vis	Schraube	
24	22033321/0	1	Asta Comando Regol.	Rod, Height Adjustment Control	Tige Commande Reglage Hauteur	Stange, Höheverstellung	454
24	22033322/0	1	Asta Comando Regol.	Rod, Height Adjustment Control	Tige Commande Reglage Hauteur	Stange, Höheverstellung	504
25	12604898/0	2	Fissatore A Corona	Crown Fastener	Fixateur A Couronne	Kronescheibe	
26	22446181/0	1	Molla	Spring	Ressort	Feder	
28	12735664/0	4	Vite	Screw	Vis	Schraube	
29	22785153/0	2	Supporto Gruppo Trazione	Support, Gear Box	Support Gr. Traction	Halter, Antrieb	
30	22033383/0	1	Asse Ruote Posteriore	Axle, Rear Wheels	Axe Roues Arriere	Achse, Hinterrad	454
30	22033385/0	1	Asse Ruote Posteriore	Axle, Rear Wheels	Axe Roues Arriere	Achse, Hinterrad	504
31	22020050/0	2	Fissatore A Corona	Crown Fastener	Fixateur A Couronne	Kronescheibe	
32	22399808/0	1	Manopolina	Knob	Poignée	Griff	
33	22321515/0	1	Leva Regolazione Altezza	Lever, Height Adjustment	Levier Reglage Hauteur	Hebel, Höheverstellung	
34	12735661/0	2	Vite	Screw	Vis	Schraube	
35	12728300/0	2	Vite	Screw	Vis	Schraube	
36	22735563/0	1	Settore Di Regolazione	Sector, Height Adjustment	Secteur Reglage	Sektor, Höheverstellung	

TU

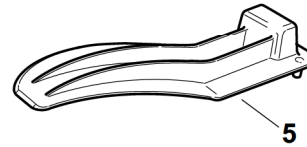
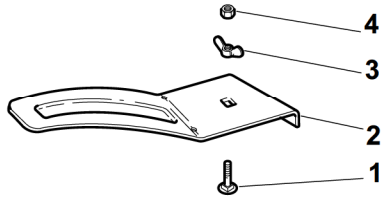
454

504

2009

55\_002

1 / 1



POS.	CODE	Q.TY	DESCRIZIONE	DESCRIPTION	DESCRIPTION	BESCHREIBUNG	REMARKS
1	12818690/0	1	Vite	Screw	Vis	Schraube	454
2	22140229/0	1	Deflettore	Deflector	Deflecteur	Deflektor	454
3	22399807/0	1	Manopolina	Knob	Poignée	Griff	454
4	12293200/0	1	Dado	Nut	Ecrou	Mutter	454
5	22140231/0	1	Deflettore	Deflector	Deflecteur	Deflektor	504

TU

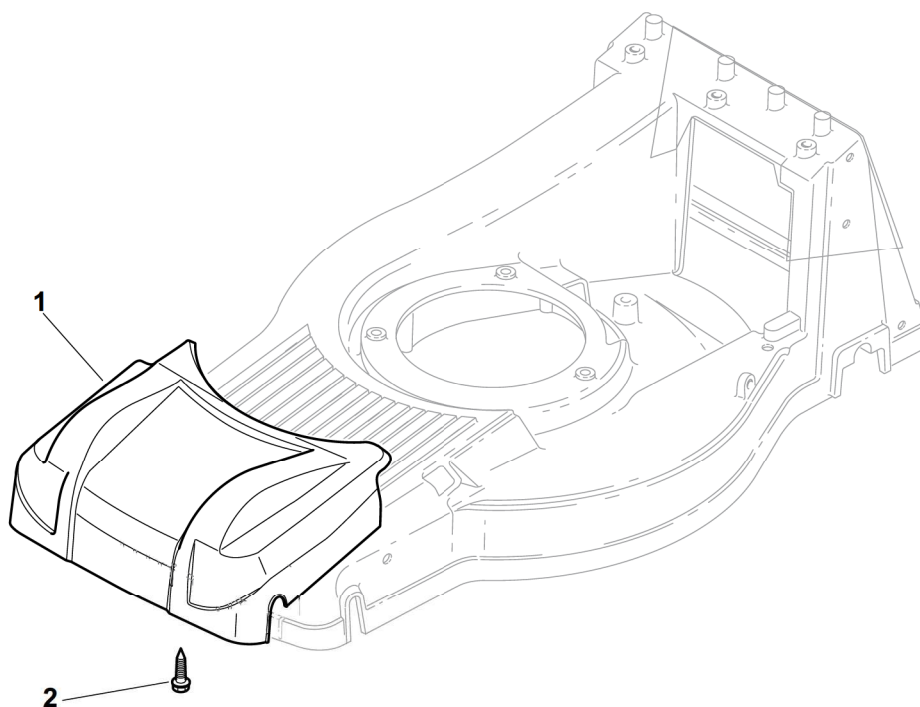
454

504

2009

55\_003

1 / 1

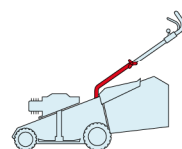


POS.	CODE	Q.TY	DESCRIZIONE	DESCRIPTION	DESCRIPTION	BESCHREIBUNG	REMARKS
1	322226119/0	1	Mascherina, Grigio	Mask, Grey	Mesque, Gris	Maske, Grau	
2	112735420/0	4	Vite	Screw	Vis	Schraube	

TU

454

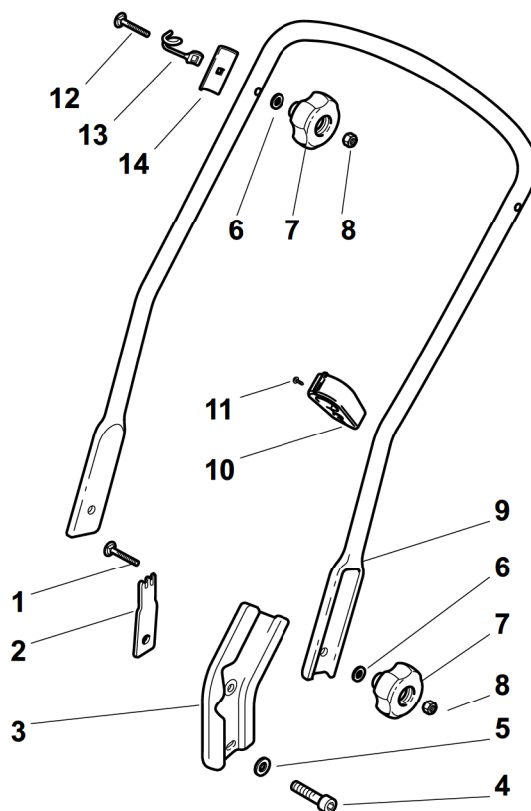
504



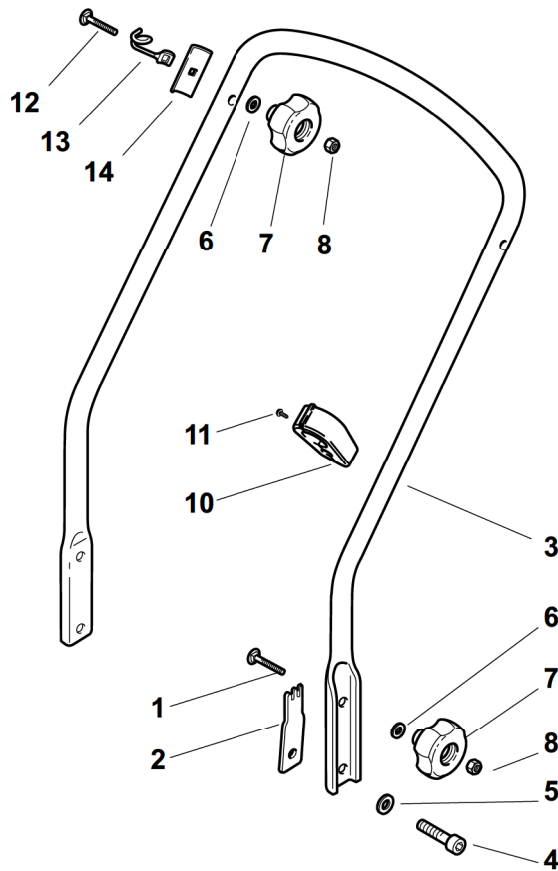
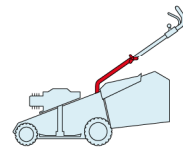
2009

55\_004

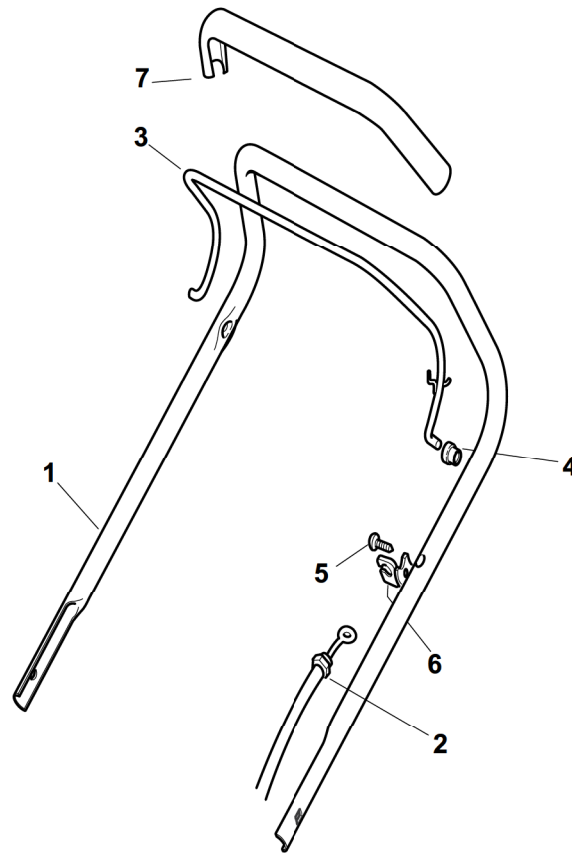
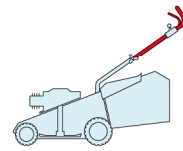
1 / 1



POS.	CODE	Q.TY	DESCRIZIONE	DESCRIPTION	DESCRIPTION	BESCHREIBUNG	REMARKS
1	12820655/0	2	Vite	Screw	Vis	Schraube	
2	22551635/0	1	Piastrina Fissaggio Manico	Plate For Handle	Plaquette Fixage Mancheron	Platte Holmbefestigung	
3	22778405/0	2	Supporto	Support	Support	Halter	
4	12760515/0	2	Vite	Screw	Vis	Schraube	
5	12521350/0	2	Rosetta	Washer	Rondelle	Scheibe	
6	12521350/0	4	Rosetta	Washer	Rondelle	Scheibe	
6	81002239/0	1	Sacco, Tela	Box, Fabric	Sac, Toile	Sack, Tuck	
7	22399810/0	4	Manopolina	Knob	Poignée	Griff	
8	12361005/0	4	Dado	Nut	Ecrou	Mutter	
9	81006612/0	1	Manico, Parte Inf	Handle, Lower Part	Mancheron, Partie Inferieure	Holm, Unterteil	454
9	81006613/0	1	Manico, Parte Inf	Handle, Lower Part	Mancheron, Partie Inferieure	Holm, Unterteil	504
10	22192001/0	1	Fascetta Ancoraggio	Anchor Clamp	Collier Ancre	Bowdenzughalter	
11	12728691/0	1	Vite	Screw	Vis	Schraube	
12	12820655/0	2	Vite	Screw	Vis	Schraube	
13	22430311/0	1	Molla Guida	Guide Spring	Ressort De Guide	Feder Führer	
14	22545137/0	2	Piastrina Fissaggio Manico	Plate For Handle Fastening	Plaquette Fixage Mancheron	Platte Holmbefestigung	



POS.	CODE	Q.TY	DESCRIZIONE	DESCRIPTION	DESCRIPTION	BESCHREIBUNG	REMARKS
1	12820655/0	2	Vite	Screw	Vis	Schraube	
2	22551635/0	2	Piastrina Fissaggio Manico	Plate For Handle Fastening	Plaquette Fixage Mancheron	Platte Holmbefestigung	
3	81006641/0	1	Manico, Parte Inf	Handle, Lower Part	Mancheron, Partie Inferieure	Holm, Unterteil	
4	12760515/0	2	Vite	Screw	Vis	Schraube	
5	12521350/0	2	Rosetta	Washer	Rondelle	Scheibe	
6	12521350/0	4	Rosetta	Washer	Rondelle	Scheibe	
7	22399810/0	4	Manopolina	Knob	Poignée	Griff	
8	12361005/0	4	Dado	Nut	Ecrou	Mutter	
12	12820655/0	2	Vite	Screw	Vis	Schraube	
13	22430311/0	1	Molla Guida	Guide Spring	Ressort De Guide	Feder Führer	
14	22545137/0	2	Piastrina Fissaggio Manico	Plate For Handle Fastening	Plaquette Fixage Mancheron	Platte Holmbefestigung	

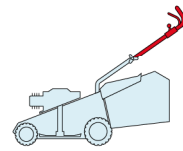


POS.	CODE	Q.TY	DESCRIZIONE	DESCRIPTION	DESCRIPTION	BESCHREIBUNG	REMARKS
1	81007018/1	1	Manico, Parte Sup	Handle, Upper Part	Mancheron, Partie Supérieure	Holm, Oberteil	
2	81000631/0	1	Cavo Freno Motore	Cable, Thread Engine Brake	Cable Frein Moteur	Kabel, Motorbremse	454 (B&S 450-500 Series)
2	81000634/0	1	Cavo Freno Motore	Cable, Thread Engine Brake	Cable Frein Moteur	Kabel, Motorbremse	454 (B&S 625-675 Series)
2	81000756/0	1	Cavo Freno Motore	Cable, Thread Engine Brake	Cable Frein Moteur	Kabel, Motorbremse	454 (Ggp 150cc)
2	81000634/0	1	Cavo Freno Motore	Cable, Thread Engine Brake	Cable Frein Moteur	Kabel, Motorbremse	454 (Ggp 140cc)
2	81000634/0	1	Cavo Freno Motore	Cable, Thread Engine Brake	Cable Frein Moteur	Kabel, Motorbremse	454 (Ggp 160cc)
2	81000634/0	1	Cavo Freno Motore	Cable, Thread Engine Brake	Cable Frein Moteur	Kabel, Motorbremse	454 (Honda Gcv 135-160-190)
2	81000634/0	1	Cavo Freno Motore	Cable, Thread Engine Brake	Cable Frein Moteur	Kabel, Motorbremse	504 (B&S 450-500 Series)
2	81000634/0	1	Cavo Freno Motore	Cable, Thread Engine Brake	Cable Frein Moteur	Kabel, Motorbremse	504 (B&S 625-675 Series)
2	81000756/0	1	Cavo Freno Motore	Cable, Thread Engine Brake	Cable Frein Moteur	Kabel, Motorbremse	504 (Ggp 150cc)
2	81000634/0	1	Cavo Freno Motore	Cable, Thread Engine Brake	Cable Frein Moteur	Kabel, Motorbremse	504 (Ggp 160cc)
2	81000634/0	1	Cavo Freno Motore	Cable, Thread Engine Brake	Cable Frein Moteur	Kabel, Motorbremse	504 (Ggp 196cc)
2	81000634/0	1	Cavo Freno Motore	Cable, Thread Engine Brake	Cable Frein Moteur	Kabel, Motorbremse	504 (Honda Gcv 135-160-190)
3	81003291/3	1	Leva Freno Motore	Lever, Engine Brake	Levier Frein Moteur	Hebel, Motorbremse	
4	22041966/0	2	Bussola	Bush	Douille	Buchse	
5	12728518/0	1	Vite	Screw	Vis	Schraube	
6	22806612/0	1	Supporto	Support	Support	Halter	
7	22291050/0	1	Impugnatura Manico Nera	Handgrip Black	Poignée Noire	Handgriff Schwarz	

TU

454

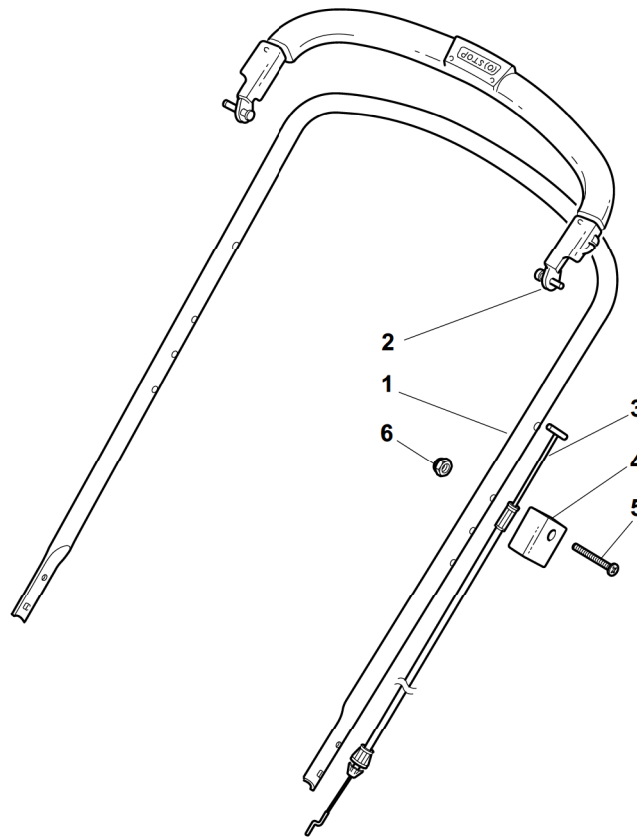
504



2009

55\_007

1 / 1



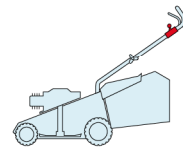
POS.	CODE	Q.TY	DESCRIZIONE	DESCRIPTION	DESCRIPTION	BESCHREIBUNG	REMARKS
1	81006616/1	1	Manico, Parte Sup	Handle, Upper Part	Mancheron, Partie Supérieure	Holm, Oberteil	454
1	81006618/1	1	Manico, Parte Sup	Handle, Upper Part	Mancheron, Partie Supérieure	Holm, Oberteil	504
2	81003298/1	1	Leva Freno Motore	Lever, Engine Brake	Levier Frein Moteur	Hebel, Motorbremse	
3	81000685/0	1	Cavo Freno Motore	Cable, Thread Engine Brake	Cable Frein Moteur	Kabel, Motorbremse	454 (B&S 450-500 Series)
3	81000685/0	1	Cavo Freno Motore	Cable, Thread Engine Brake	Cable Frein Moteur	Kabel, Motorbremse	454 (B&S 625-675 Series)
3	81000707/0	1	Cavo Freno Motore	Cable, Thread Engine Brake	Cable Frein Moteur	Kabel, Motorbremse	454 (Ggp 150cc)
3	81000685/0	1	Cavo Freno Motore	Cable, Thread Engine Brake	Cable Frein Moteur	Kabel, Motorbremse	454 (Ggp 140cc)
3	81000685/0	1	Cavo Freno Motore	Cable, Thread Engine Brake	Cable Frein Moteur	Kabel, Motorbremse	454 (Ggp 160cc)
3	81000685/0	1	Cavo Freno Motore	Cable, Thread Engine Brake	Cable Frein Moteur	Kabel, Motorbremse	454 (Honda Gcv 135-160-190)
3	81000686/0	1	Cavo Freno Motore	Cable, Thread Engine Brake	Cable Frein Moteur	Kabel, Motorbremse	504 (B&S 450-500 Series)
3	81000688/0	1	Cavo Freno Motore	Cable, Thread Engine Brake	Cable Frein Moteur	Kabel, Motorbremse	504 (B&S 625-675 Series)
3	181000777/0	1	Cavo Freno Motore	Cable, Thread Engine Brake	Cable Frein Moteur	Kabel, Motorbremse	504 (Ggp 150cc)
3	81000688/0	1	Cavo Freno Motore	Cable, Thread Engine Brake	Cable Frein Moteur	Kabel, Motorbremse	504 (Ggp 140cc)
3	81000688/0	1	Cavo Freno Motore	Cable, Thread Engine Brake	Cable Frein Moteur	Kabel, Motorbremse	504 (Ggp 160cc)
3	81000688/0	1	Cavo Freno Motore	Cable, Thread Engine Brake	Cable Frein Moteur	Kabel, Motorbremse	504 (Ggp 196cc)
3	81000687/0	1	Cavo Freno Motore	Cable, Thread Engine Brake	Cable Frein Moteur	Kabel, Motorbremse	504 (Honda Gcv 135-160-190)
4	22551640/0	1	Piastrina	Plate	Plaquette	Plättchen	
5	12727783/0	1	Vite	Screw	Vis	Schraube	
6	12154510/0	1	Dado	Nut	Ecrou	Mutter	



TU

454

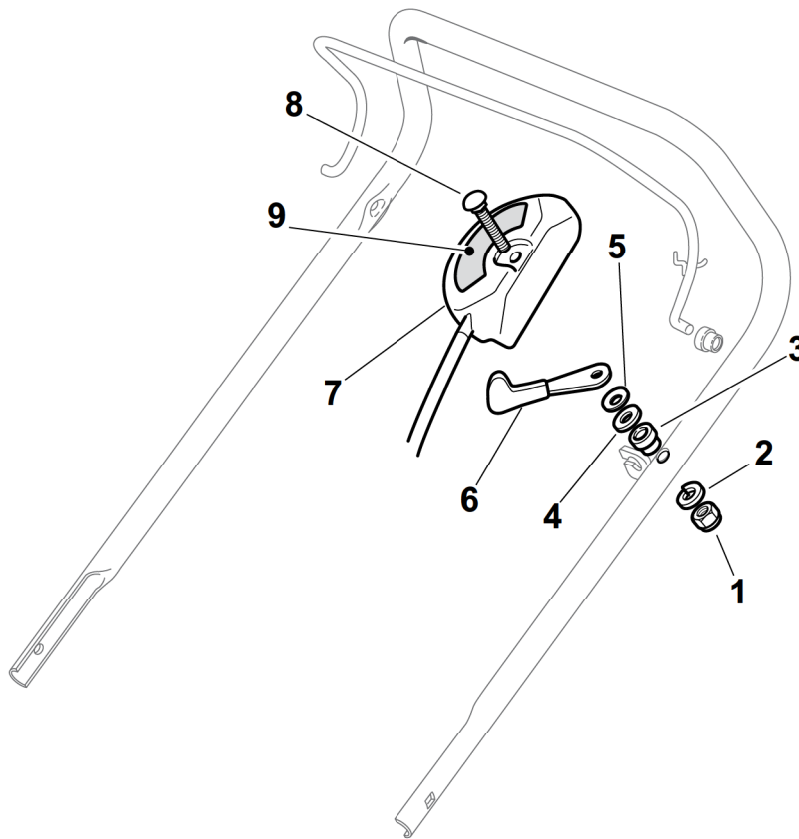
504



2009

55\_008

1 / 1

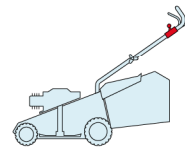


POS.	CODE	Q.TY	DESCRIZIONE	DESCRIPTION	DESCRIPTION	BESCHREIBUNG	REMARKS
1	12291000/0	1	Dado	Nut	Ecrou	Mutter	
2	12581500/0	1	Grower	Grower	Grower	Federring	
3	22171005/0	1	Distanziale	Spacer	Entretoise	Distanzring	
4	12521360/0	1	Rosetta	Washer	Rondelle	Scheibe	
5	12508100/0	1	Rosetta Elastica	Spring Washer	Rondelle Elastique	Elastische Scheibe	
6	81007279/1	1	Leva, Acceleratore	Lever, Throttle	Levier, Accelérateur	Hebel, Beschleuniger	(B&S 625-675-700 Series - Honda - Ggp 140-160-196 cc)
6	81007220/0	1	Leva, Acceleratore	Lever, Throttle	Levier, Accelérateur	Hebel, Beschleuniger	(B&S 450-500 Series - Ggp 150 cc)
7	81007080/0	1	Cavo Acceleratore	Throttle Cable	Cable, Accelérateur	Gashebel Kabel	
8	12815000/0	1	Vite	Screw	Vis	Schraube	
9	14356703/0	1	Etichetta	Label	Etiquette	Etikette	(B&S)
9	114356905/0	1	Etichetta	Label	Etiquette	Etikette	(B&S 700 series DOV)
9	14356702/0	1	Etichetta	Label	Etiquette	Etikette	(GGP)
9	114364264/0	1	Etichetta	Label	Etiquette	Etikette	AVS (GGP 160-196)
9	14356702/0	1	Etichetta	Label	Etiquette	Etikette	(Honda)
9	114356905/0	1	Etichetta	Label	Etiquette	Etikette	(Honda GCV 160-190 Autochoke)

TU

454

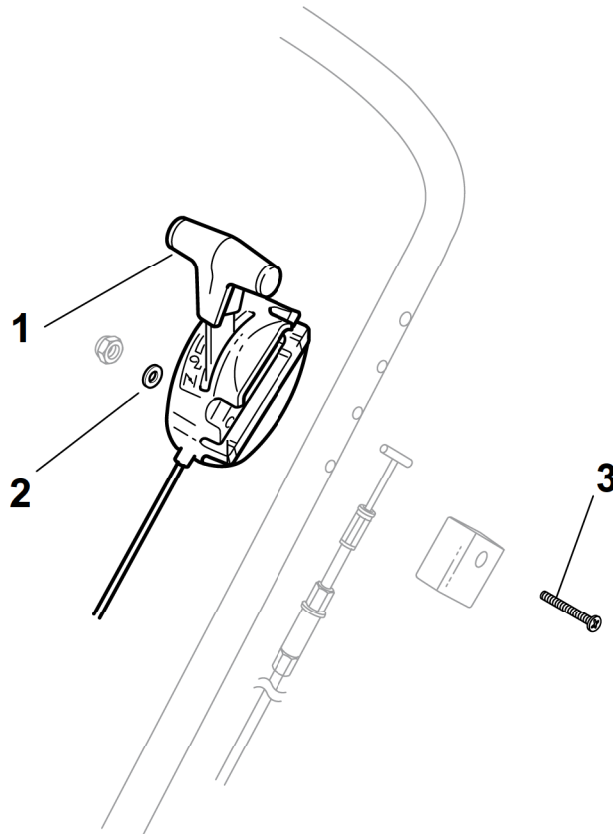
504



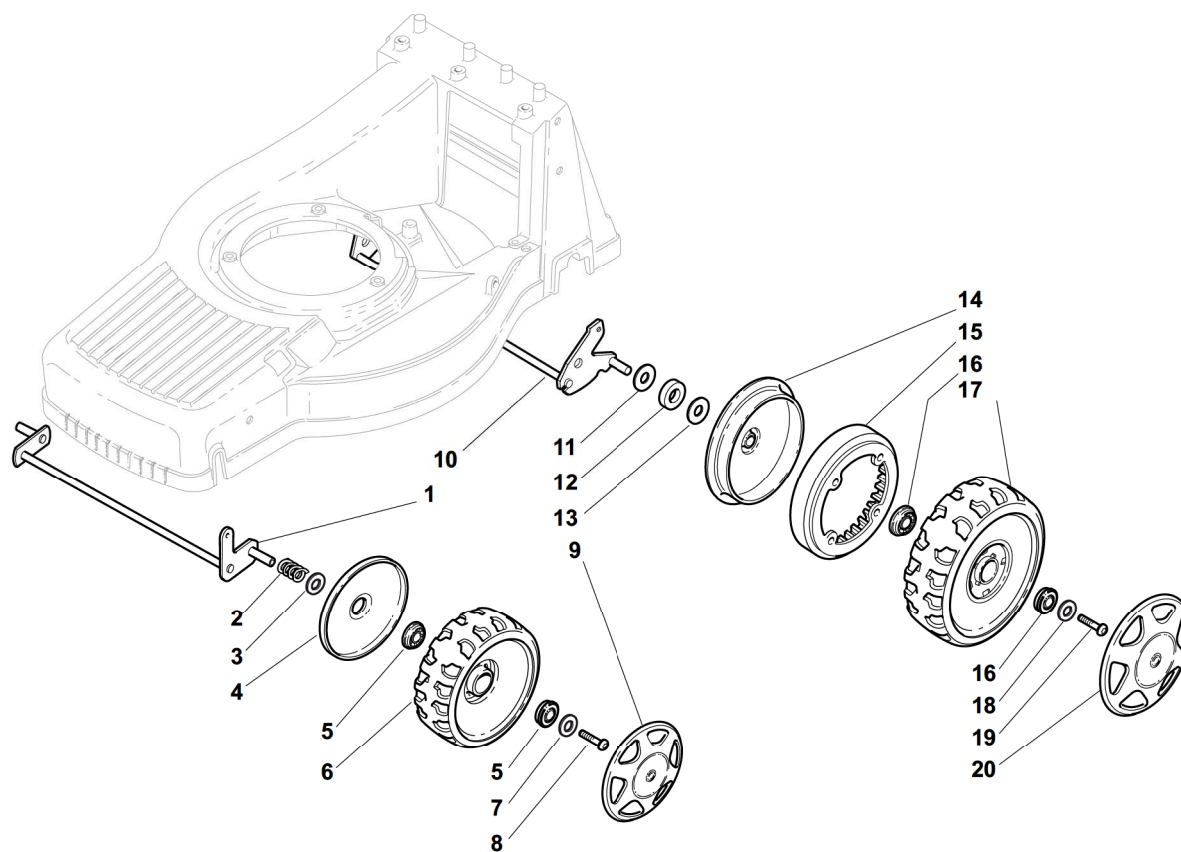
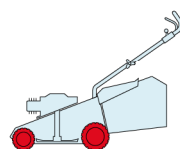
2009

55\_009

1 / 1



POS.	CODE	Q.TY	DESCRIZIONE	DESCRIPTION	DESCRIPTION	BESCHREIBUNG	REMARKS
1	81007128/0	1	Cavo Acceleratore	Throttle Cable	Cable, Accelérateur	Gashebel Kabel	(B&S)
1	81007126/0	1	Cavo Acceleratore	Throttle Cable	Cable, Accelérateur	Gashebel Kabel	(Honda)
2	12523040/0	1	Rosetta	Washer	Rondelle	Scheibe	
3	12727787/0	1	Vite	Screw	Vis	Schraube	

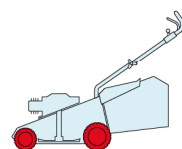


POS.	CODE	Q.TY	DESCRIZIONE	DESCRIPTION	DESCRIPTION	BESCHREIBUNG	REMARKS
1	81002843/0	1	Asse Ruote Anteriore	Axle, Front Wheels	Axe Roues Avant	Achse, Vorderrad	454
1	81002845/0	1	Asse Ruote Anteriore	Axle, Front Wheels	Axe Roues Avant	Achse, Vorderrad	504
2	22430215/0	2	Molla	Spring	Ressort	Feder	
3	12521370/0	2	Rosetta	Washer	Rondelle	Scheibe	
4	22600095/0	2	Prot. Ruote	Protection, Wheel	Protection Roue	Schütz, Räder	
5	22122200/0	4	Cuscinetto	Bearing	Coussinet	Lager	
6	22686091/1	2	Ruota Ø 165	Wheel Ø 165	Roue Ø 165	Rad Ø 165	
7	12521460/0	2	Rosetta	Washer	Rondelle	Scheibe	
8	12735662/0	2	Vite	Screw	Vis	Schraube	
9	-	2	Coprimozzo	Hub Cap	Couvre-Moyeu	Radkappe	(See Enclosure 1)
10	81002841/0	1	Asse Ruote Posteriore	Axle, Rear Wheels	Axe Roues Arriere	Achse, Hinterrad	454
10	81002823/0	1	Asse Ruote Posteriore	Axle, Rear Wheels	Axe Roues Arriere	Achse, Hinterrad	504
11	12520032/0	2	Rosetta	Washer	Rondelle	Scheibe	
12	22170815/0	2	Distanziale	Spacer	Entretoise	Distanzring	
13	12520032/0	2	Rosetta	Washer	Rondelle	Scheibe	
14	22600122/0	2	Prot. Ruote	Protection, Wheel	Protection Roue	Schütz, Räder	
15	22120109/0	2	Corona Trascinamento	Ring Gear	Couronne	Kranz	
16	22122200/0	4	Cuscinetto	Bearing	Coussinet	Lager	
17	22686093/0	2	Ruota Ø 190	Wheel Ø 190	Roue Ø190	Rad Ø 190	
18	12521460/0	2	Rosetta	Washer	Rondelle	Scheibe	
19	12735662/0	2	Vite	Screw	Vis	Schraube	
20	-	2	Coprimozzo	Hub Cap	Couvre-Moyeu	Radkappe	(See Enclosure 2)

TU

454

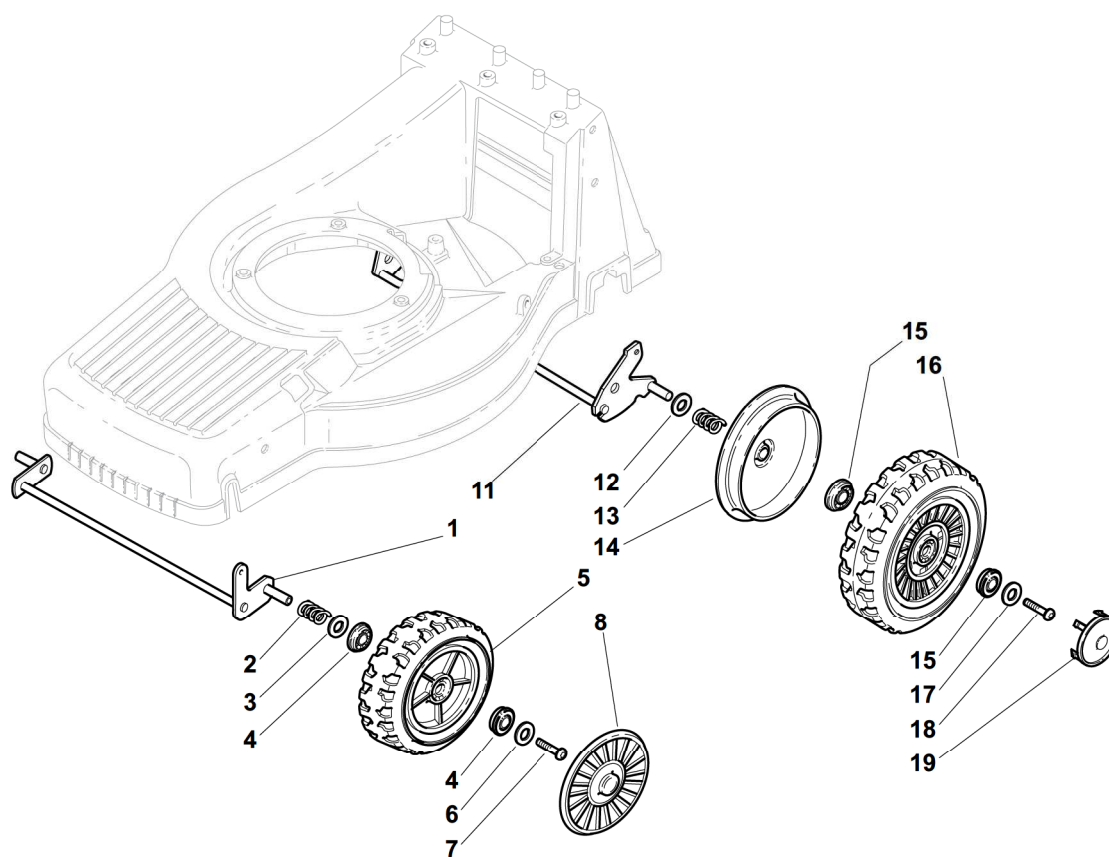
504



2009

55\_011

1 / 1

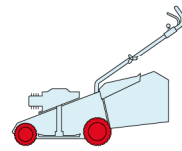


POS.	CODE	Q.TY	DESCRIZIONE	DESCRIPTION	DESCRIPTION	BESCHREIBUNG	REMARKS
1	81002843/0	1	Asse Ruote Anteriore	Axle, Front Wheels	Axe Roues Avant	Achse, Vorderrad	454
1	81002845/0	1	Asse Ruote Anteriore	Axle, Front Wheels	Axe Roues Avant	Achse, Vorderrad	504
2	22430210/0	2	Molla	Spring	Ressort	Feder	
3	12521370/0	2	Rosetta	Washer	Rondelle	Scheibe	
4	22122200/0	4	Cuscinetto	Bearing	Coussinet	Lager	
5	81007351/0	2	Ruota Ø 170	Wheel Ø 170	Roue Ø 170	Rad Ø 170	
6	12521460/0	2	Rosetta	Washer	Rondelle	Scheibe	
7	12735662/0	2	Vite	Screw	Vis	Schraube	
8	-	2	Coprimozzo	Hub Cap	Couvre-Moyeu	Radkappe	(See Enclosure 1)
11	81002841/0	1	Asse Ruote Posteriore	Axle, Rear Wheels	Axe Roues Arriere	Achse, Hinterrad	454
11	81002823/0	1	Asse Ruote Posteriore	Axle, Rear Wheels	Axe Roues Arriere	Achse, Hinterrad	504
12	22671659/0	2	Rosetta	Washer	Rondelle	Scheibe	
13	22430215/0	2	Molla	Spring	Ressort	Feder	
14	22600122/0	2	Prot. Ruote	Protection, Wheel	Protection Roue	Schütz, Räder	
15	22122201/0	4	Cuscinetto	Bearing	Coussinet	Lager	
16	81007361/0	2	Ruota Ø 190	Wheel Ø 190	Roue Ø190	Rad Ø 190	
17	12521460/0	2	Rosetta	Washer	Rondelle	Scheibe	
18	12735662/0	2	Vite	Screw	Vis	Schraube	
19	22110384/0	2	Coprimozzo	Hub Cap	Couvre-Moyeu	Radkappe	

TU

454

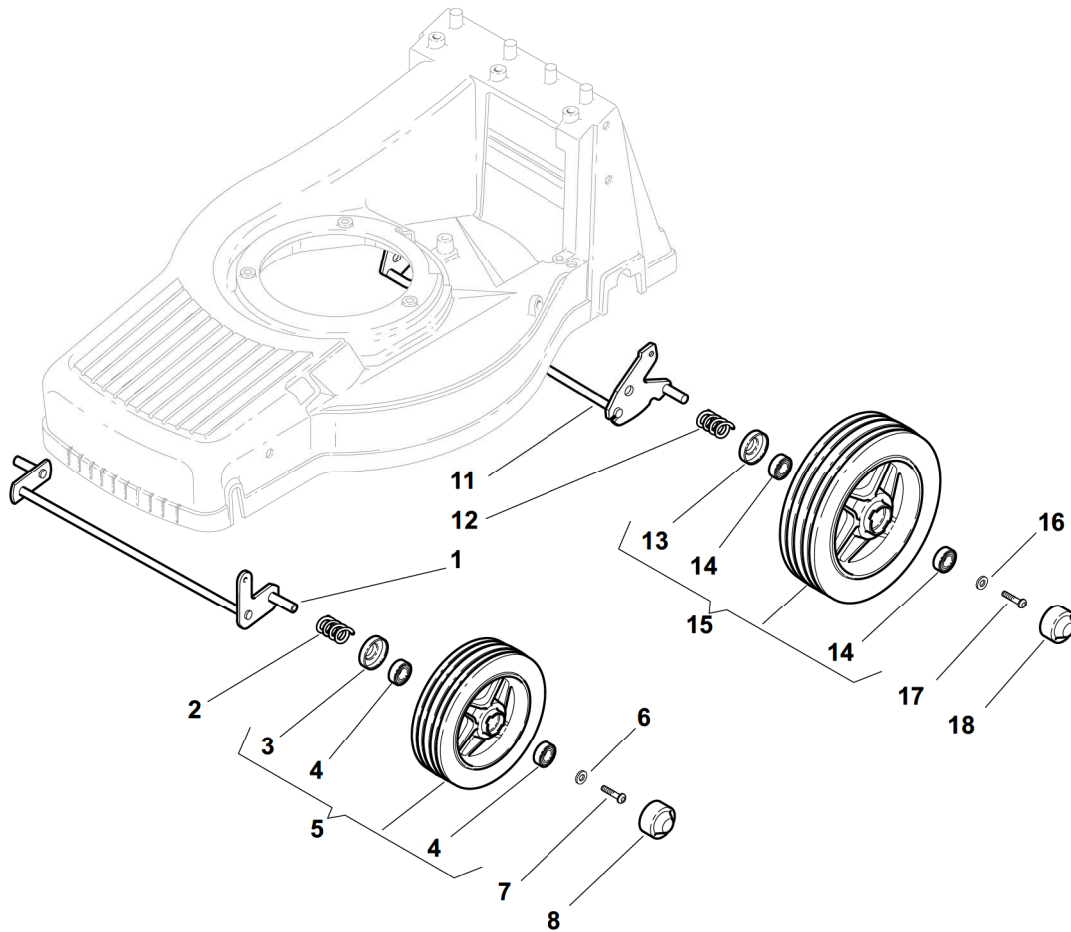
504



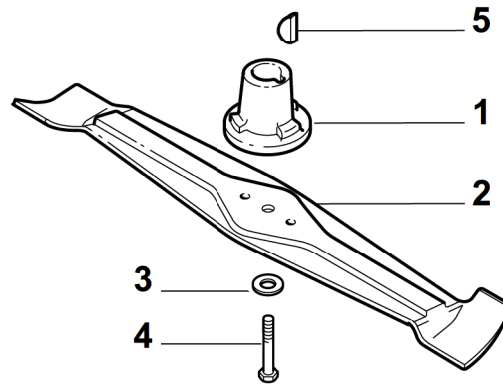
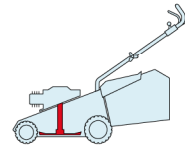
2009

55\_012

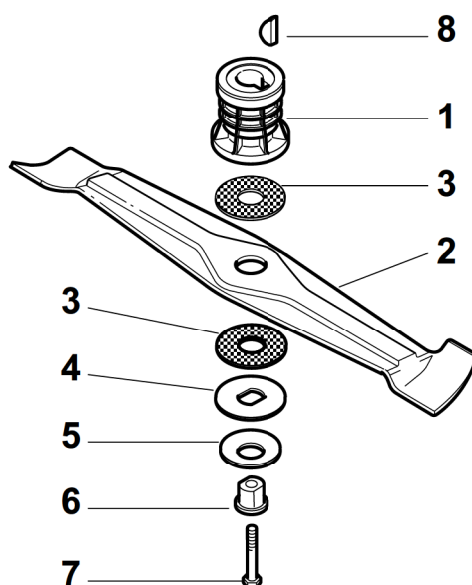
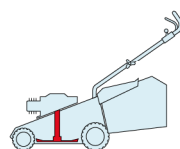
1 / 1



POS.	CODE	Q.TY	DESCRIZIONE	DESCRIPTION	DESCRIPTION	BESCHREIBUNG	REMARKS
1	81002817/0	1	Asse Ruote Anteriore	Axle, Front Wheels	Axe Roues Avant	Achse, Vorderrad	454
1	81002821/0	1	Asse Ruote Anteriore	Axle, Front Wheels	Axe Roues Avant	Achse, Vorderrad	504
2	22430210/0	2	Molla	Spring	Ressort	Feder	
3	22160522/0	2	Disco Parapolvere	Dust Cover	Protege-Poussiere	Staubschuttscheibe	
4	19216039/0	4	Cuscinetto	Bearing	Coussinet	Lager	
5	81007363/0	2	Ruota Ø 175	Wheel Ø 175	Roue Ø 175	Rad Ø 175	
6	12521460/0	2	Rosetta	Washer	Rondelle	Scheibe	
7	12735662/0	2	Vite	Screw	Vis	Schraube	
8	22110379/0	2	Coprismozzo	Hub Cap	Couvre-Moyeu	Radkappe	
11	81002819/0	1	Asse Ruote Posteriore	Axle, Rear Wheels	Axe Roues Arriere	Achse, Hinterrad	454
11	81002823/0	1	Asse Ruote Posteriore	Axle, Rear Wheels	Axe Roues Arriere	Achse, Hinterrad	504
12	22430215/0	2	Molla	Spring	Ressort	Feder	
13	22160522/0	2	Disco Parapolvere	Dust Cover	Protege-Poussiere	Staubschuttscheibe	
14	19216039/0	4	Cuscinetto	Bearing	Coussinet	Lager	
15	381007384/0	2	Ruota Ø 190	Wheel Ø 190	Roue Ø190	Rad Ø 190	
16	12521460/0	2	Rosetta	Washer	Rondelle	Scheibe	
17	12735592/0	2	Vite	Screw	Vis	Schraube	
18	22110380/0	2	Coprismozzo	Hub Cap	Couvre-Moyeu	Radkappe	



POS.	CODE	Q.TY	DESCRIZIONE	DESCRIPTION	DESCRIPTION	BESCHREIBUNG	REMARKS
1	22465618/0	1	Mozzo, Albero Motore Ø 22.2	Hub, Crankshaft Ø 22.2	Moyeu, Arbre Moteur Ø 22.2	Halter, Motorwelle Ø 22.2	
1	122465630/0	1	Mozzo, Albero Motore Ø 25	Hub, Crankshaft Ø 25	Moyeu, Arbre Moteur Ø 25	Halter, Motorwelle Ø 25	
2	81004131/0	1	Coltello	Blade	Lame	Messer	454
2	81004143/0	1	Coltello	Blade	Lame	Messer	504
3	12530140/0	1	Rosetta	Washer	Rondelle	Scheibe	
4	12735698/0	1	Vite	Screw	Vis	Schraube	
5	12139100/0	1	Linguetta, Albero Motore Ø 22.2	Feather, Crankshaft Ø 22.2	Clavette, Arbre Moteur Ø 22.2	Keil, Motorwelle Ø 22.2	
6	12139150/0	1	Linguetta, Albero Motore Ø 25	Feather, Crankshaft Ø 25	Clavette, Arbre Moteur Ø 25	Keil, Motorwelle Ø 25	



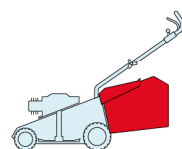
POS.	CODE	Q.TY	DESCRIZIONE	DESCRIPTION	DESCRIPTION	BESCHREIBUNG	REMARKS
1	22465619/0	1	Mozzo Con Puleggia, Albero Motore Ø 22.2	Hub With Pulley, Crankshaft Ø 22.2	Moyeu Avec Poulie, Arbre Moteur Ø 22.2	Nabe Mit Scheibe, Motorwelle Ø 22.2	
1	122465631/0	1	Mozzo Con Puleggia, Albero Motore Ø 25	Hub With Pulley, Crankshaft Ø 25	Moyeu Avec Poulie, Arbre Moteur Ø 25	Nabe Mit Scheibe, Motorwelle Ø 25	
1	122465636/0	1	Mozzo Con Puleggia, Albero Motore Ø 22.2	Hub With Pulley, Crankshaft Ø 22.2	Moyeu Avec Poulie, Arbre Moteur Ø 22.2	Nabe Mit Scheibe, Motorwelle Ø 22.2	AVS
1	122465637/0	1	Mozzo Con Puleggia, Albero Motore Ø 25	Hub With Pulley, Crankshaft Ø 25	Moyeu Avec Poulie, Arbre Moteur Ø 25	Nabe Mit Scheibe, Motorwelle Ø 25	AVS
2	81004132/0	1	Coltello Alettato	Blade Winged	Lame Ailettée	Messer Flügel	454
2	81004135/0	1	Coltello Alettato	Blade Winged	Lame Ailettée	Messer Flügel	504
2	81004134/0	1	Coltello Alettato	Blade Winged	Lame Ailettée	Messer Flügel	554
3	22672111/0	2	Rondella Frizione	Clutch Washer	Rondelle Friction	Kupplungscheibe	
4	22672105/0	1	Rosetta	Washer	Rondelle	Scheibe	
5	12508120/0	1	Molla A Tazza	Cupped Spring	Ressort	Teller Feder	
6	22041940/0	1	Bussola Frizione	Clutch Bush	Douille Friction	Kupplungsscheibe	
7	12736850/0	1	Vite	Screw	Vis	Schraube	
7	12736850/0	1	Vite	Screw	Vis	Schraube	AVS
8	12139100/0	1	Linguetta, Albero Motore Ø 22.2	Feather, Crankshaft Ø 22.2	Clavette, Arbre Moteur Ø 22.2	Keil, Motorwelle Ø 22.2	
8	12139150/0	1	Linguetta, Albero Motore Ø 25	Feather, Crankshaft Ø 25	Clavette, Arbre Moteur Ø 25	Keil, Motorwelle Ø 25	



TU

454

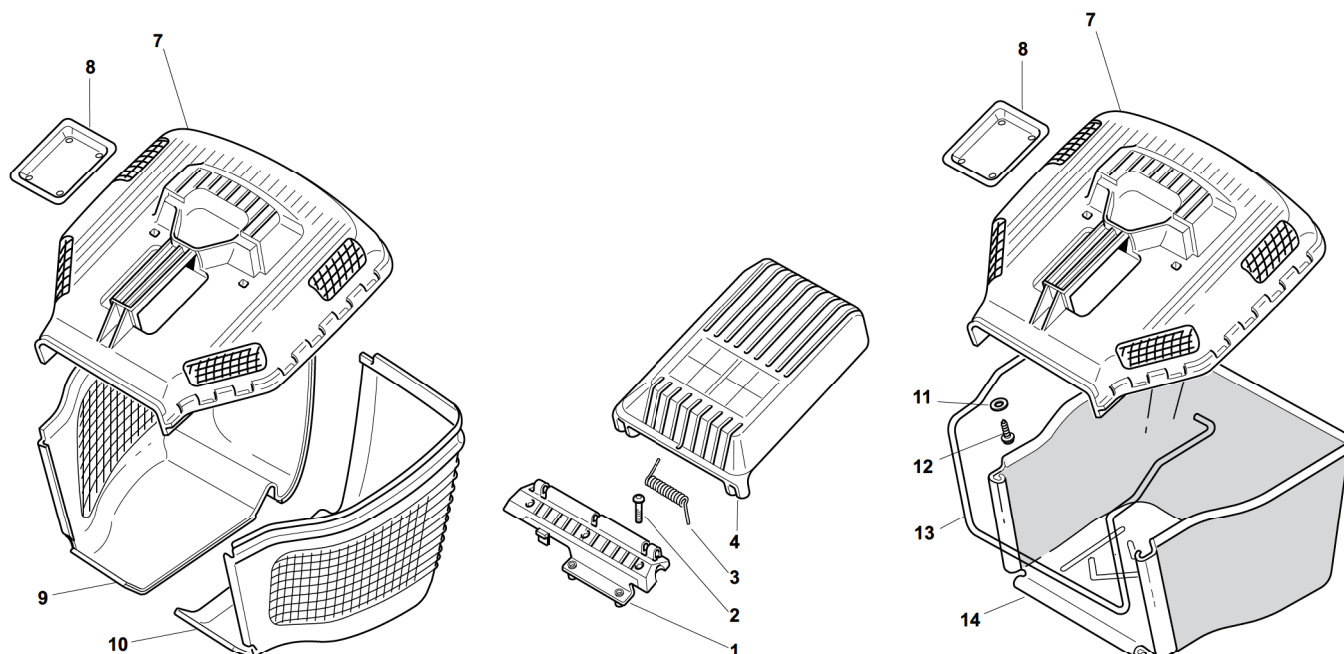
504



2009

55\_015

1 / 1



POS.	CODE	Q.TY	DESCRIZIONE	DESCRIPTION	DESCRIPTION	BESCHREIBUNG	REMARKS
1	22785178/0	1	Supporto, Nero	Support, Black	Support, Noir	Halter, Schwarz	454
1	22785156/0	1	Supporto, Giallo	Support, Yellow	Support, Jaune	Halter, Gelb	454
1	22785179/0	1	Supporto, Nero	Support, Black	Support, Noir	Halter, Schwarz	504-554
1	22785157/0	1	Supporto, Giallo	Support, Yellow	Support, Jaune	Halter, Gelb	504-554
2	12735664/0	3	Vite	Screw	Vis	Schraube	
3	22450443/0	1	Molla	Spring	Ressort	Feder	
4	22600079/0	1	Parasassi, Nero	Stone-Guard, Black	Pare-Pierres, Noir	Prallblech, Schwarz	454
4	22600080/0	1	Parasassi, Giallo	Stone-Guard, Yellow	Pare-Pierres, Jaune	Prallblech, Gelb	454
4	22600068/1	1	Parasassi, Nero	Stone-Guard, Black	Pare-Pierres, Noir	Prallblech, Schwarz	504-554
4	22600069/1	1	Parasassi, Giallo	Stone-Guard, Yellow	Pare-Pierres, Jaune	Prallblech, Gelb	504-554
7	22486115/0	1	Sacco, Parte Sup	Grass-Box, Upper Part	Sac, Partie Superieure	Korb, Oberteil	454
7	22486095/0	1	Sacco, Parte Sup	Grass-Box, Upper Part	Sac, Partie Superieure	Korb, Oberteil	504-554
8	22486098/0	1	Piastrina	Plate	Plaquette	Plättchen	
9	22486120/0	1	Sacco, Parte Inf Dx	Grass-Box, R Lower	Sac, Partie Inferieure D	Korb, R Unterteil	454
9	22486099/0	1	Sacco, Parte Inf Dx	Grass-Box, R Lower	Sac, Partie Inferieure D	Korb, R Unterteil	504-554
10	22486119/0	1	Sacco, Parte Inf Sx	Grass Box, L Lower	Sac, Partie Inferieure G	Korb, L Unterteil	454
10	22486100/0	1	Sacco, Parte Inf Sx	Grass-Box, L Lower	Sac, Partie Inferieure G	Korb, L Unterteil	504-554
11	12521460/0	2	Rosetta	Washer	Rondelle	Scheibe	
12	12728300/0	2	Vite	Screw	Vis	Schraube	
13	22608518/0	1	Rinforzo Inf	Stiffening Lower	Réinforcement Inf	Verstärkung Untere	454
13	22608528/0	1	Rinforzo Inf	Stiffening Lower	Réinforcement Inf	Verstärkung Untere	504-554
14	81002239/0	1	Sacco, Tela	Box, Fabric	Sac, Toile	Sack, Tuck	454
14	81002235/0	1	Sacco, Tela	Box, Fabric	Sac, Toile	Sack, Tuck	504-554